



Available in Weather Protected version (WP)



Available in protected shackle version (PS)

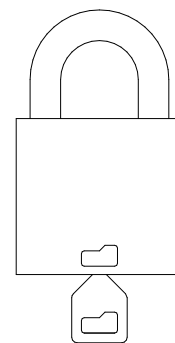


ANCHOR 800-3

Grade 4 padlock for high security applications. Suitable for locking motorcycles, trucks, road barriers and the like. The padlock is equipped with the ANCHOR disc cylinder and 2 keys. The cylinder is protected by a 3mm thick hardened free spinning protection plate. The padlock is available in key differ (std), keyed alike or in masterkey system. Removable shackle is available as an option for applications with limited space. Another option is the weather protected version with concealed O-rings in the shackle holes and a protective cap for the cylinder hole.

ANCHOR Disc cylinder

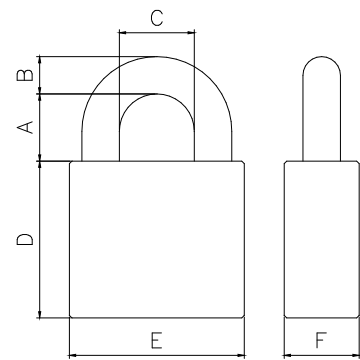
- > ANCHOR Disc cylinder, 9 discs, 1.5 million different key combinations.
- > The cylinder has no spring loaded parts, which in other types of mechanism can cause malfunction through wear, dirt, moisture, corrosion or freezing.
- > Maximum resistance against picking and manipulation.
- > The lock cylinder offers extensive masterkeying possibilities. All our padlocks and camlocks can be made to operate with just one key.
- > Our extra strong key, thickness 3 mm, is made of nickel silver. The key is design patented.



Use symbol  to insert key in correct position



- > Padlock body: 60mm hardened steel
- > Shackle: 11mm hardened steel
- > Plating: Chrome
- > Cylinder type: ANCHOR Disc cylinder
- > Shackle heights: 28 and 50mm
- > Certification: Class 3 according to SSF 014 rev 3.
Grade 4 according to EN 12320:2012



- > Options:
 - Carded (CARDED)
 - Removable Shackle (RS)
 - Protected Shackle (PS)
 - Keyed Alike (KA)
 - Master Key System (MK)
 - Excluding discs and keys (EXCL DISCS)
 - Completion of Keyed Alike (COMP KA)
 - Completion of Master Key System (COMP MK)
 - Weather protection (WP)

A	B	C	D	E	F
28/50	11	28	56/(PS=88)	60	25

