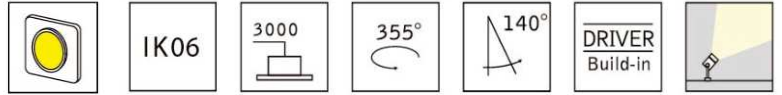


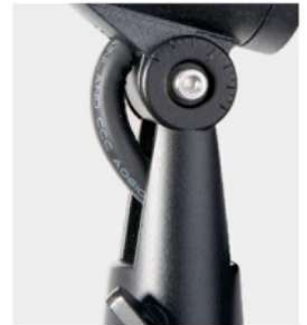
model: GFN-GLOFA107PBKWW
size: L:160 x W:80 x H:433 mm
lamp: 13W 50D LED 3000K 1500lm
color: Black
remark: IP67



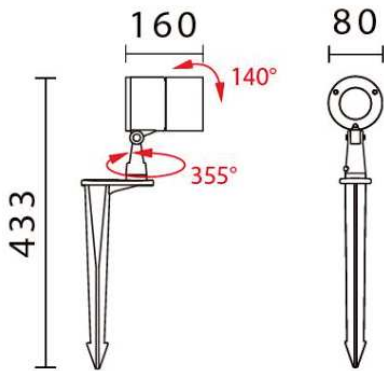
FEATURES OF STRUCTURE



Easy to install on the ground with foot-step ground spike.



Angle-marking knob on the side



If you have any questions please contact WhatsApp or WeChat: +852-9888-5611
如有任何疑問，請WhatsApp或WeChat查詢: +852-9888-5611