



# MUL-T-LOCK PRODUCT GALLERY

模帝樂產品總覽



**MUL-T-LOCK®**

以色列製造

MADE IN ISRAEL 

Patented Key Technology



# 關於模帝樂

## About MUL-T-LOCK



模帝樂於 1973 年在以色列成立，現已成為  
規劃，開發，製造和銷售高安全性鎖膽及鎖類  
產品的全球領導者，並因創新和高質量的產品而廣受  
認可。模帝樂持有上百項國際專利，並已得到行業專家和用  
戶的驗證。模帝樂的鎖膽均在以色列廠房生產，以確保質量。

模帝樂的產品都是為提高安全性而設計，並以其創新的技術、出色  
的質量和服務以及持久耐用而著稱。此外，產品擁有高級密匙控制  
和管理系統，可有效防止未經授權的複製。

Founded in Israel in 1973, MUL-T-LOCK has become a world leader in the  
field of planning, developing, manufacturing and marketing locking  
system solutions. Recognized for their quality and innovation,  
MUL-T-LOCK solutions are field-proven by both industry professionals  
and end-users alike. All MUL-T-LOCK cylinders are produced in Israel to  
ensure the quality.

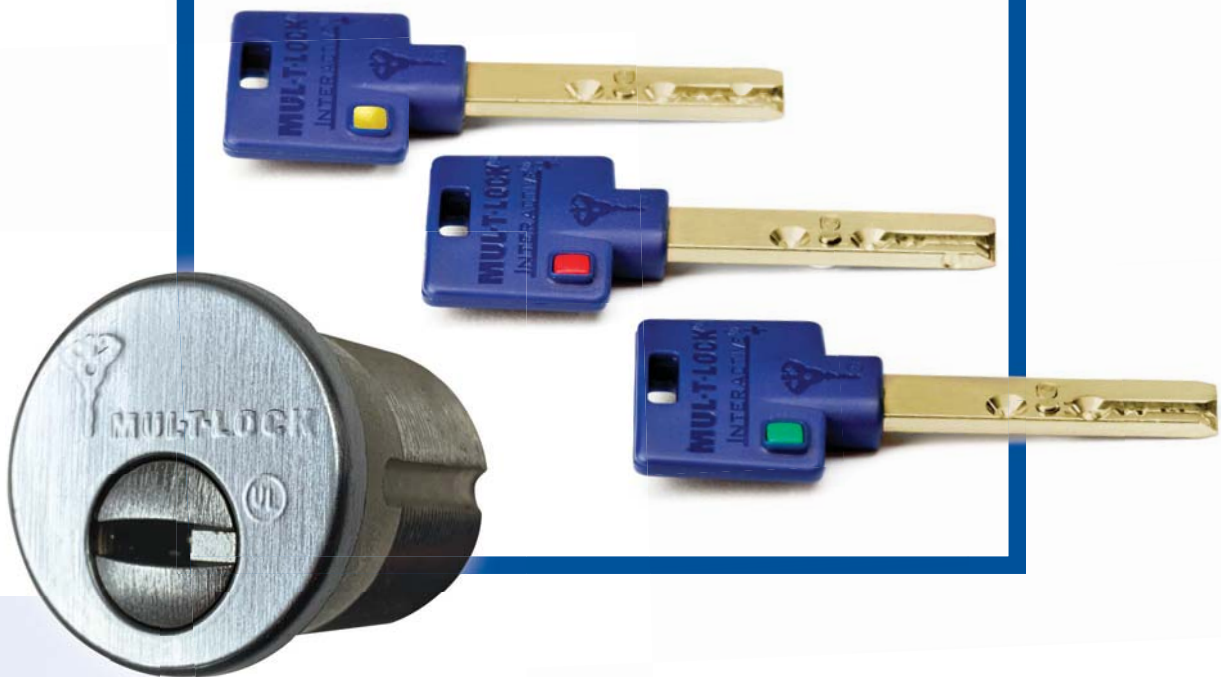
MUL-T-LOCK products are designed for high-security and are known for  
their innovative technology, outstanding quality and service, and an  
extended lifecycle. Additionally, its products contain advanced key control  
and management systems to protect against unauthorized duplication.



# 3 IN 1<sup>®</sup>

## CYLINDER

### 3合1鎖膽



以色列製造的 MUL-T-LOCK「3合1」鎖膽，讓用家快捷、方便地更改鎖膽與鎖匙組合。每個「3合1」鎖膽配有3組不同編碼的電腦匙，分別為綠、黃及紅色。用家只需安裝鎖膽一次，當需要更換鎖膽時，就按次序將另一顏色的鎖匙插入鎖膽轉一圈，新匙會隨即生效；舊匙則永久失效。即購買一套 MUL-T-LOCK「3合1」鎖膽，便等同買了3把鎖！

MUL-T-LOCK "3 IN 1" cylinder is made in Israel, which allows users to easily change their key combinations through a simple and speedy process. Each cylinder is supplied with 3 different sets of keys (green, yellow, and red). The user just simply inserts and operates the next key in a sequence of three keys, and the introduction of each new key invalidates the previous key combination. It implies that you have three locks if you buy one "3 IN 1" cylinder lock.

# 如何使用「3合1」鎖膽？

## How does the "3 IN 1" cylinder operate?



初次使用：使用第一條 (綠色) 鎖匙，開鎖無礙。

First time to use it: Use the first (green) key to unlock the door.



若需要更換鎖膽：用第二條 (黃色) 鎖匙 360° 轉動鎖膽，以改變鎖膽結構。原本的綠色鎖匙將不能再開啟此鎖，只有黃色鎖匙才能開鎖。

When you need to change the cylinder: Simply insert the second (yellow) key and turn it 360° in the lock. This process alone changes the lock combination so that it may no longer be opened by the green key and can be operated by the yellow key only.



若再需要更換鎖膽：同一方式，用第三條 (紅色) 鎖匙 360° 轉動鎖膽，往後只有紅色鎖匙能開鎖。

When you need to change the cylinder again: This process is simply repeated with the third (red) key, nullifying the operating capabilities of the yellow key now and allowing operation only by the red key.

## 甚麼情況下適合使用「3合1」鎖膽？

### When do you use "3 IN 1" cylinder?



- 新居入伙  
Move into a new apartment
- 裝修前後  
Before/ After renovation
- 轉租客/ 傭人  
Change of tenant/ maid
- 遺失鎖匙  
Lost the key
- 提升家居防盜  
Enhance home security





# ADVANCED KEY CONTROL SYSTEM

## 先進鎖匙控制系統



Alpha 彈簧  
Alpha Spring



蛇形槽  
Laser track



# MT5+ 鎖匙系統特點

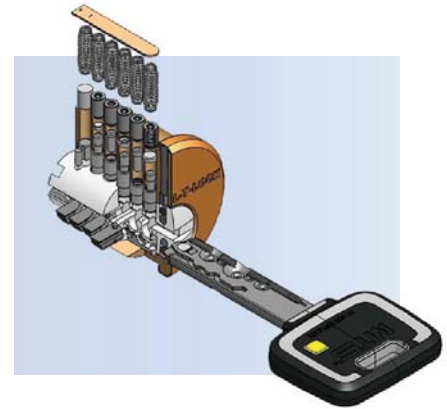
## MT5+ Key System Main Features

### 專利認證 安全可靠

#### Patent certification is safe and reliable

MT5+ 鎖匙尾端的「Alpha 彈簧」以及「蛇型槽」獲得專利認證。

The “Alpha Spring” at the tip of the key, and the “Laser track” are patented elements. Provide users a high-security key.

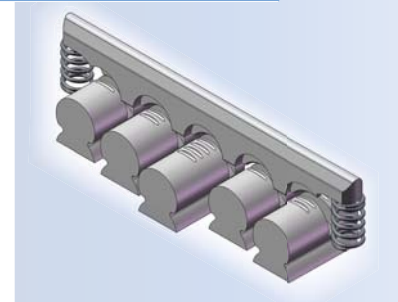
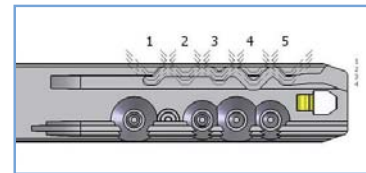


### 上億個組合 降低互開率

#### More than 4.4 billion locking combinations can be created

在「子母珠」的基礎組合下，再配上「Alpha 彈簧」以及「蛇型槽」，就能製造出多達44 億種不同的組合的鎖匙，大大降低了鎖匙的互開率，帶來更強保安。

By utilizing the MT5+'s three different locking mechanisms: “Telescopic Pin Technology”, “Alpha Spring”, and “Laser track”, more than 4.4 billion locking combinations can be created.



### MT5+配匙卡 獨一無二

#### The MT5+ Unique Keycard

每套MT5+ 配匙卡帶有獨一無二的編碼，配匙卡的編碼資料只能夠由「KC5配匙機」讀取，安全可靠。認可的配匙服務只在備有「KC5配匙機」之鎖匠提供。

The MT5+ keycard must be swiped through a specialized key cutting machine, which can only be found at select authorized MUL-T-LOCK dealers in order to duplicate keys.



# INTERACTIVE<sup>®</sup>+

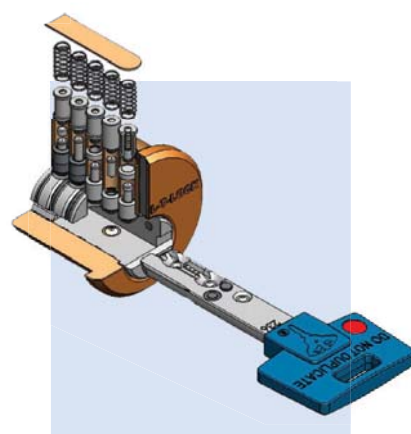
## 互動鋼珠<sup>®</sup>+



「互動鋼珠<sup>®</sup>+

」以專利科技研製，配合經典「子母珠」，鎖匙上的互動鋼珠必須與鎖芯機械組件同時對準才可以成功解鎖，令防盜能力更強。

Base on the “Telescopic Pin Tumblers” technology, the “Interactive<sup>®</sup>” technology increases security effectiveness. A telescopic pin tumbler mechanism requires the simultaneous alignment of both internal and external shear lines for plug rotation.





# 互動鋼珠<sup>®</sup>+

## INTERACTIVE<sup>®</sup>+

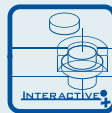


- 上百萬的鎖珠組合，高安全性系統  
Millions of locking combinations to create a high-security system
- KC5 配匙機製作獨一無二編碼的鎖匙  
The KC5 key cutting machine produces a unique key
- 防撬，防鑽，防撞  
Pry, Drill and Bump Resistant
- 全球商標保證  
Global trademark guarantee
- 鎖匙外型設計獲專利  
The design of the key shape is patented



# AMERICAN (ANSI) MORTISE LOCKSET

## 美式套裝鎖



# 美式套裝鎖\*

## American (ANSI) Mortise Lockset\*



### DVQ06



顏色 Finish	啞光古銅 INOX-SS/DAZ
門厚 Door Thickness	48-51mm (1-7/8" ~ 2")
鎖中尺寸 Backset	70mm (2-3/4")
鎖體 Lockcase	美式 ANSI-AA



### DFV06



顏色 Finish	鋼色 INOX-SS
門厚 Door Thickness	48-51mm (1-7/8" ~ 2")
鎖中尺寸 Backset	70mm (2-3/4")
鎖體 Lockcase	美式 ANSI-AA



### DLM06



顏色 Finish	珍珠黑色 INOX-PBN
門厚 Door Thickness	48-51mm (1-7/8" ~ 2")
鎖中尺寸 Backset	70mm (2-3/4")
鎖體 Lockcase	美式 ANSI-AA



### DWJ03



顏色 Finish	珍珠黑色 INOX-PBN
門厚 Door Thickness	48-51mm (1-7/8" ~ 2")
鎖中尺寸 Backset	70mm (2-3/4")
鎖體 Lockcase	美式 ANSI-AA

\* 以上套裝鎖均有左邊和右邊可供選擇。另外，若對產品有進一步疑問，請向店員查詢。  
Left door lock set and right door lock set are available. If you want to know more details about the products, please contact our staff.

\* 產品線圖以毫米為準。  
Line images are in millimeters(mm).

# 美式套裝鎖\*

## American (ANSI) Mortise Lockset\*



### DFP06

顏色 Finish	殞石黑鋼色 DBN
門厚 Door Thickness	48-51mm (1-7/8" ~ 2")
鎖中尺寸 Backset	70mm (2-3/4")
鎖體 Lockcase	美式 ANSI-AA



### DSR06

顏色 Finish	啞光青銅色 DAB (US8)
門厚 Door Thickness	48-51mm (1-7/8" ~ 2")
鎖中尺寸 Backset	70mm (2-3/4")
鎖體 Lockcase	美式 ANSI-AA



### DU06

顏色 Finish	鋼色 SS (US15)
門厚 Door Thickness	48-51mm (1-7/8" ~ 2")
鎖中尺寸 Backset	70mm (2-3/4")
鎖體 Lockcase	美式 ANSI-AA



### DU06

顏色 Finish	金色 Gold
門厚 Door Thickness	48-51mm (1-7/8" ~ 2")
鎖中尺寸 Backset	70mm (2-3/4")
鎖體 Lockcase	美式 ANSI-AA



# 美式套裝鎖\*

## American (ANSI) Mortise Lockset\*



### DNR06



顏色 Finish	鋼色 SS (US15)
門厚 Door Thickness	48-51mm (1-7/8" ~ 2")
鎖中尺寸 Backset	70mm (2-3/4")
鎖體 Lockcase	美式 ANSI-AA



### DUY02



顏色 Finish	鋼色 SS (US15)
門厚 Door Thickness	48-51mm (1-7/8" ~ 2")
鎖中尺寸 Backset	70mm (2-3/4")
鎖體 Lockcase	美式 ANSI-AA

\* 以上套裝鎖均有左邊和右邊可供選擇。另外，若對產品有進一步疑問，請向店員查詢。  
Left door lock set and right door lock set are available. If you want to know more details about the products, please contact our staff.

\* 產品線圖以毫米為準。  
Line images are in millimeters(mm).

# AUXILIARY LOCK

## 附加鎖



**MUL-T-LOCK**  
**Hercular**

如果你想對居家安全或商業防盜有多一重保障，可以考慮安裝 MUL-T-LOCK「Hercular系列」的橫門鎖。此系列的橫門鎖防撬、防鑽，超出美國 ANSI 一級防盜標準及符合美國 UL437 標準。

If you want to have more security for your home or commercial properties, you can consider installing MUL-T-LOCK Hercular® Deadbolt. The Hercular® Deadbolt resists prying and drilling, and its standard exceeds the USA ANSI GRADE 1 and UL437.

# 附加鎖

## Auxiliary Lock



### 單膽橫門鎖

#### Hercular Deadbolt -Single Cylinder

類型 Type	60-70mm 重裝 D/B (136G+) 60-70mm HERCULAR D/B (136G+)
顏色 Finish	PVD 金色 PVD Gold
鎖膽 Cylinder	3匙 136G+
鎖中尺寸 Backset	60-70mm



### 三合一單膽橫門鎖

#### Hercular Deadbolt - 3in1 Single Cylinder

類型 Type	60-70mm 重裝 D/B (136G+) 60-70mm HERCULAR D/B (136G+)
顏色 Finish	鋼色 SS (US15)
鎖膽 Cylinder	6匙 136G+
鎖中尺寸 Backset	60-70mm



### 老虎鎖

#### Rim Lock



顏色 Finish	金色 BS (US3) / 銀色 PS (US26)
鎖膽 Cylinder	3匙 136G+
鎖中尺寸 Backset	60mm

\* 額外的產品尺寸及顏色可向店員查詢 Additional sizes and color of the product will be provided on request

# NE-SERIES PADLOCK

## NE系列掛鎖



NE系列掛鎖由以色列進口。防鑽、防水、防鏽。  
適合商店、倉庫、辦公室大鐵門使用。

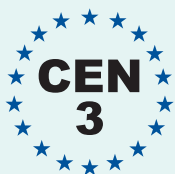
NE-Series Padlock is imported from ISRAEL. It is Anti-drill, waterproof and anti-rust, which is suitable for shops, warehouses, and offices to use.



### 甚麼是「CEN」掛鎖等級？ What is the CEN grade?

「CEN」掛鎖等級是為了測試掛鎖質量而製訂的一套標準。掛鎖必須通過多重測試才能獲得認證。「CEN」有6個等級，CEN 6為最高掛鎖級別，而CEN 1則是最低級別。

THE CEN grade of a padlock stands for "Central European Norm". In order for the padlock to achieve a certain CEN grade, it must pass through a number of intensive tests. There are 6 CEN levels, CEN 6 padlock is the maximum level, whereas CEN 1 is the lowest level.



歐盟 3 級掛鎖  
EN Grade 3  
High-security Padlock



歐盟 4 級掛鎖  
EN Grade 4  
High-security Padlock



歐盟 5 級掛鎖  
EN Grade 5  
High-security Padlock



歐盟 6 級掛鎖  
EN Grade 6  
High-security Padlock

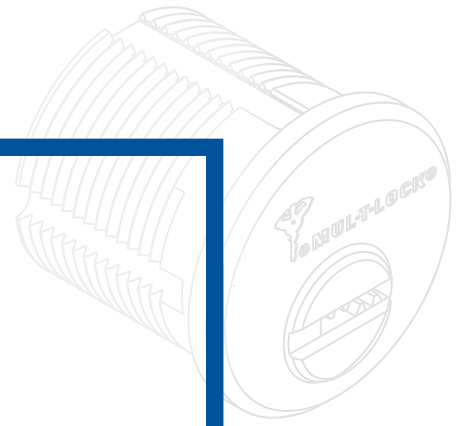


# NE 系列掛鎖

## NE-Series Padlock

 <p><b>掛鎖</b> Padlock</p>	 <p><b>MUL-NE10G5</b></p>	 <p><b>MUL-NE12L5</b></p>	 <p><b>MUL-NE14L5</b></p>
<p>類型 Type</p>	 <p>MT5+ 935B, 10mm</p>	 <p>MT5+ 935B, 12mm</p>	 <p>MT5+ 935B, 14mm</p>
 <p><b>防剪掛鎖</b> Protected Shackle</p>	 <p><b>MUL-NE10H5</b></p>	 <p><b>MUL-NE12H5</b></p>	 <p><b>MUL-NE14H5</b></p>
<p>類型 Type</p>	 <p>MT5+ 935B, 10mm</p>	 <p>MT5+ 935B, 12mm</p>	 <p>MT5+ 935B, 14mm</p>
 <p><b>橫掛鎖</b> Sliding Bolt</p>	 <p><b>MUL-SBNE105</b></p>		 <p><b>MUL-SBNE125</b></p>
<p>類型 Type</p>	 <p>MT5+ 935B, 10mm</p>		 <p>MT5+ 935B, 12mm</p>

# CYLINDER 鎖膽



**康和式鐵閘鎖膽**  
Oval Cylinder

顏色 Finish 鋼色 SS

鎖膽 Cylinder 136G+



**單葫蘆膽**  
Euro Cylinder

顏色 Finish 鋼色 SS

鎖膽 Cylinder 44.5mm 136G+



**螺絲膽**  
Mortise Cylinder

顏色 Finish 鋼色 SS

鎖膽 Cylinder 1-3/8" (136GP MT5+)

\* 額外的產品尺寸及顏色可向店員查詢 Additional sizes and color of the product will be provided on request

# THE KC5 SPECIAL KEY CUTTING MACHINE KC5 專用配匙機



「KC5智慧電子配匙機」能配製出不同類型的專利鎖匙。  
例如MT5+ 鎖匙及Interactive+ 鎖匙。KC5配匙機更可配製出  
其他MUL-T-LOCK鎖匙，請留意KC5配匙機只由認可鎖匠提供。

The KC5 is a smart electronic key cutting machine which can produce patented MT5+ key & Interactive+ key. It also supports other MUL-T-LOCK keys production. Please note that the KC5 key cutting machine can only be found at the authorized MUL-T-LOCK dealers.

## Compact II 配匙機

MUL-T-LOCK Compact II 是一部通過CE 認證的配匙機，  
可以配製出 Interactive+系列及 Classic 系列的鎖匙。

MUL-T-LOCK Compact II is a CE-certified key cutting machine,  
which can cut Interactive+ series and Classic series key.



## 擁有多項專利，信心保證

### Multiple Patents, High-security Protection

MUL-T-LOCK 的多項技術均擁有專利，如 Alpha 彈簧、蛇型槽、  
中心珠、手指珠、上鎖門及子母雙珠，將防盜技術推至更高層次。

Multiple Patented Technologies of MUL-T-LOCK Products: Alpha Spring,  
laser track, Cent pins, Finger pin, Locking bar, and Telescopic pin, which  
enhance the security level for every need.





The **Mul-T-Lock** names, and muscleman logo are registered trademarks of **Mul-T-Lock** Ltd.

香港及澳門獨家總代理  
Exclusive Distributor for Hong Kong and Macau



HOME  
SOLUTION  
EXPERT

(852) 2765 9667  
eshop.plc.com.hk

