



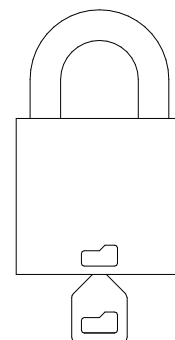
## ANCHOR 810-1

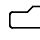


Grade 2 padlock manufactured in all rust resistant materials. Suitable for locking cash boxes, tool boxes, lockers, power station switches and the like. The padlock is equipped with the ANCHOR disc cylinder and 2 keys. The padlock is available in key differ (std), keyed alike or in masterkey system.

### ANCHOR Disc cylinder

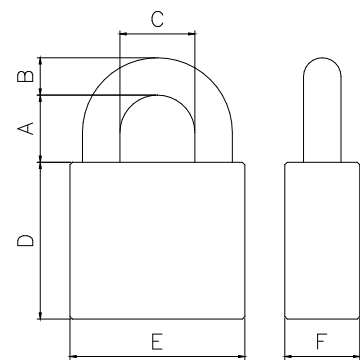
- > ANCHOR Disc cylinder, 9 discs, 1.5 million different key combinations.
- > The cylinder has no spring loaded parts, which in other types of mechanism can cause malfunction through wear, dirt, moisture, corrosion or freezing.
- > Maximum resistance against picking and manipulation.
- > The lock cylinder offers extensive masterkeying possibilities. All our padlocks and camlocks can be made to operate with just one key.
- > Our extra strong key, thickness 3 mm, is made of nickel silver. The key is design patented.



Use symbol  to insert key in correct position



- > Padlock body: 39mm brass
- > Shackle: 6.5mm stainless steel
- > Plating: Brass
- > Cylinder type: ANCHOR Disc cylinder
- > Shackle heights: 20 and 80mm
- > Certification: Class 1 according to SSF 014 rev 3.  
Grade 2 according to EN 12320:2012
- > Options: Carded (CARDED)  
Keyed Alike (KA)  
Master Key System (MK)  
Excluding discs and keys (EXCL DISCS)  
Completion of Keyed Alike (COMP KA)  
Completion of Master Key System (COMP MK)  
Brass Finish (BR)



A	B	C	D	E	F
20/80	6,5	20,5	40	39	19

